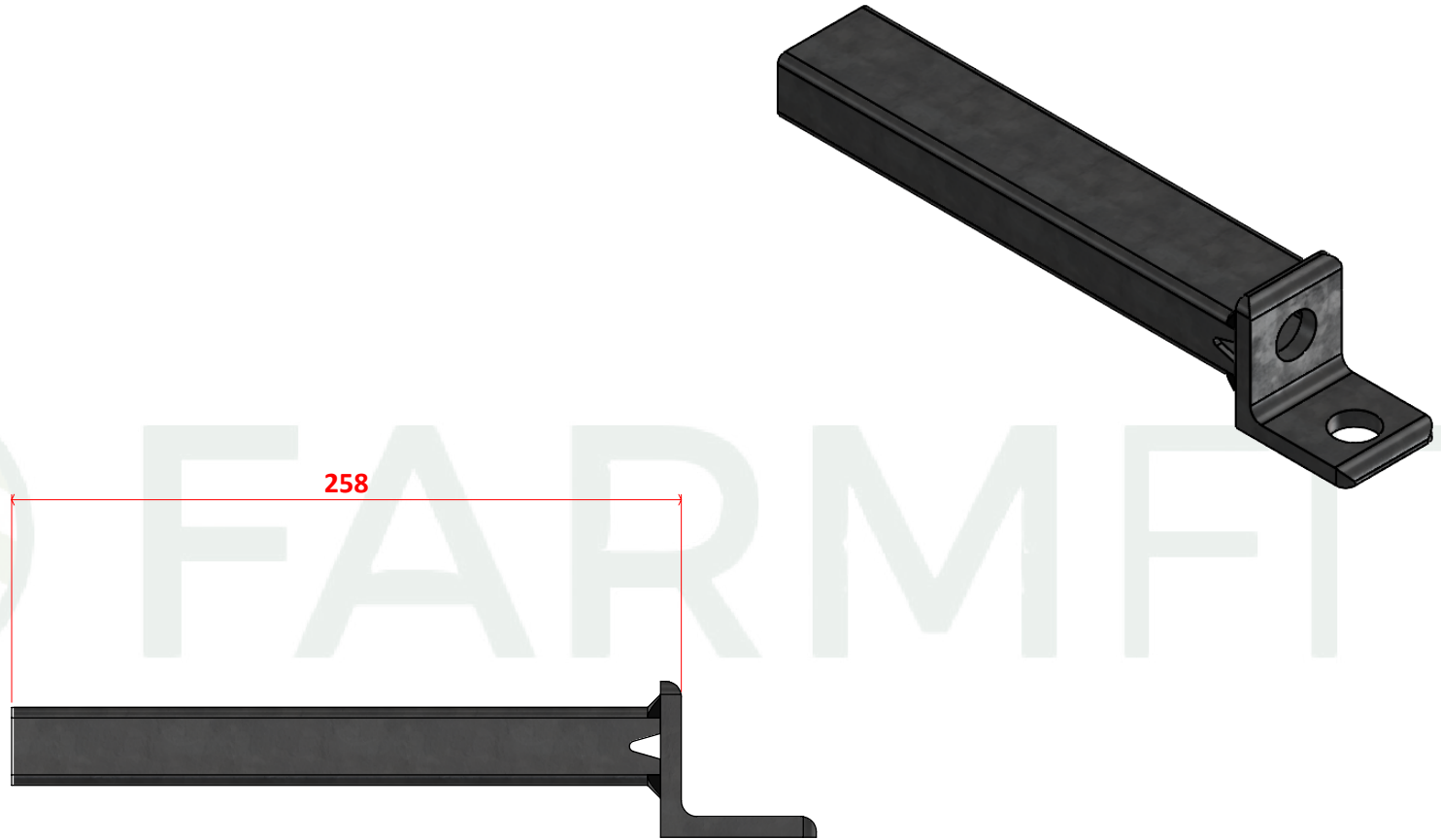




FARMFIT



Gates, Cubicles, Yokes, Feed Barriers, Sheep Equipment, Handling Systems, Concrete Products, Water Products, Posts, Fixings, Bespoke Fittings, Roofing, Ventilation & Much More!

PLEASE NOTE NO ASSUMPTION SHOULD BE MADE IN RESPECT TO ANY CONSTRUCTIONAL DETAILS FROM THIS DRAWING. ALL SIZES ARE APPROXIMATE AND MAY CHANGE IN MANUFACTURING. IF IN DOUBT ASK. UNLESS OTHERWISE STATED ALL SIZES ARE IN MM

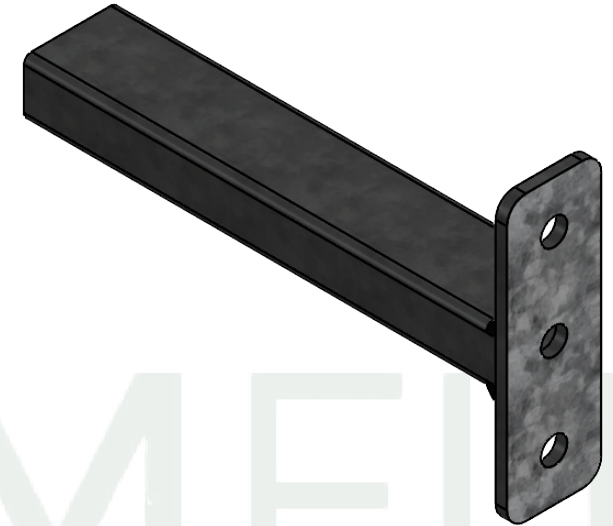
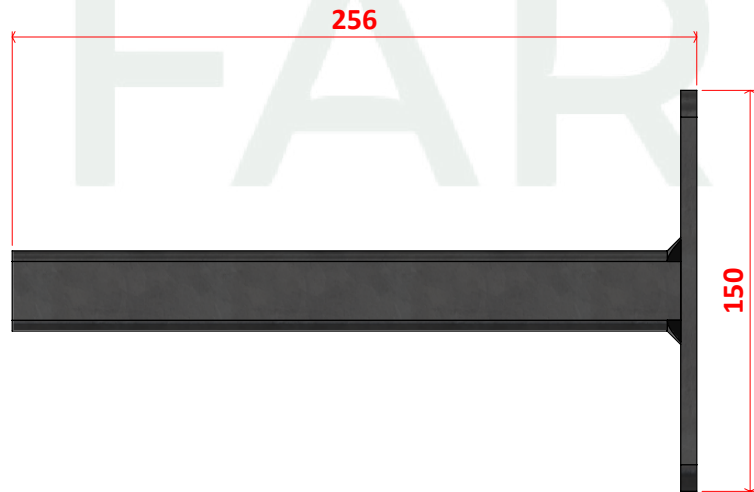
TITLE:  
**Angled End Brackets for Self Locking Yokes**

PRODUCT CODE:  
**AM347**



Unit 1, Kellwood Business Park, Dumfries, DG1 4HF  
T: 01576 204 963  
E: sales@farmfituk.com

**FARMFIT**



Gates, Cubicles, Yokes, Feed Barriers, Sheep Equipment, Handling Systems, Concrete Products, Water Products, Posts, Fixings, Bespoke Fittings, Roofing, Ventilation & Much More!

PLEASE NOTE NO ASSUMPTION SHOULD BE MADE IN RESPECT TO ANY CONSTRUCTIONAL DETAILS FROM THIS DRAWING. ALL SIZES ARE APPROXIMATE AND MAY CHANGE IN MANUFACTURING. IF IN DOUBT ASK. UNLESS OTHERWISE STATED ALL SIZES ARE IN MM

TITLE:  
**Flat End Brackets for Self Locking Yokes**

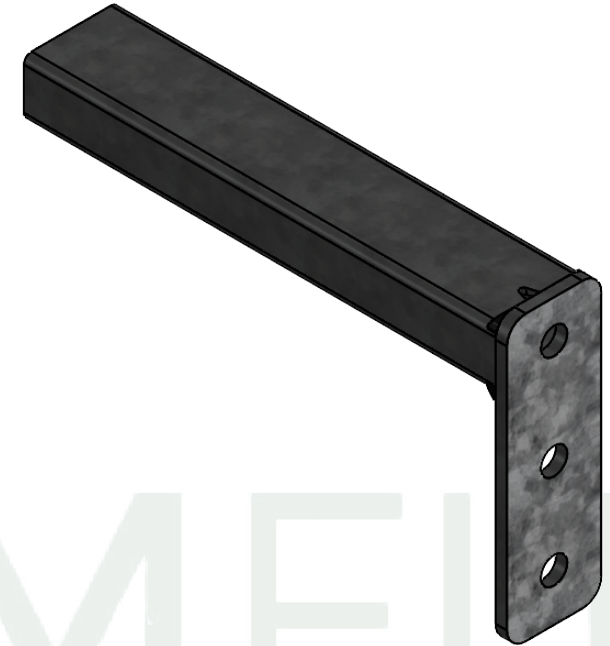
PRODUCT CODE:  
**AM348**



**FARMFIT**

Unit 1, Kellwood Business Park, Dumfries, DG1 4HF

T: 01576 204 963  
E: sales@farmfituk.com



Gates, Cubicles, Yokes, Feed Barriers, Sheep Equipment, Handling Systems, Concrete Products, Water Products, Posts, Fixings, Bespoke Fittings, Roofing, Ventilation & Much More!

PLEASE NOTE NO ASSUMPTION SHOULD BE MADE IN RESPECT TO ANY CONSTRUCTIONAL DETAILS FROM THIS DRAWING. ALL SIZES ARE APPROXIMATE AND MAY CHANGE IN MANUFACTURING. IF IN DOUBT ASK. UNLESS OTHERWISE STATED ALL SIZES ARE IN MM

TITLE:  
**L Shaped End Brackets for Self Locking Yokes**

PRODUCT CODE:  
**AM349**



**FARMFIT**

Unit 1, Kellwood Business Park, Dumfries, DG1 4HF

T: 01576 204 963  
E: sales@farmfituk.com